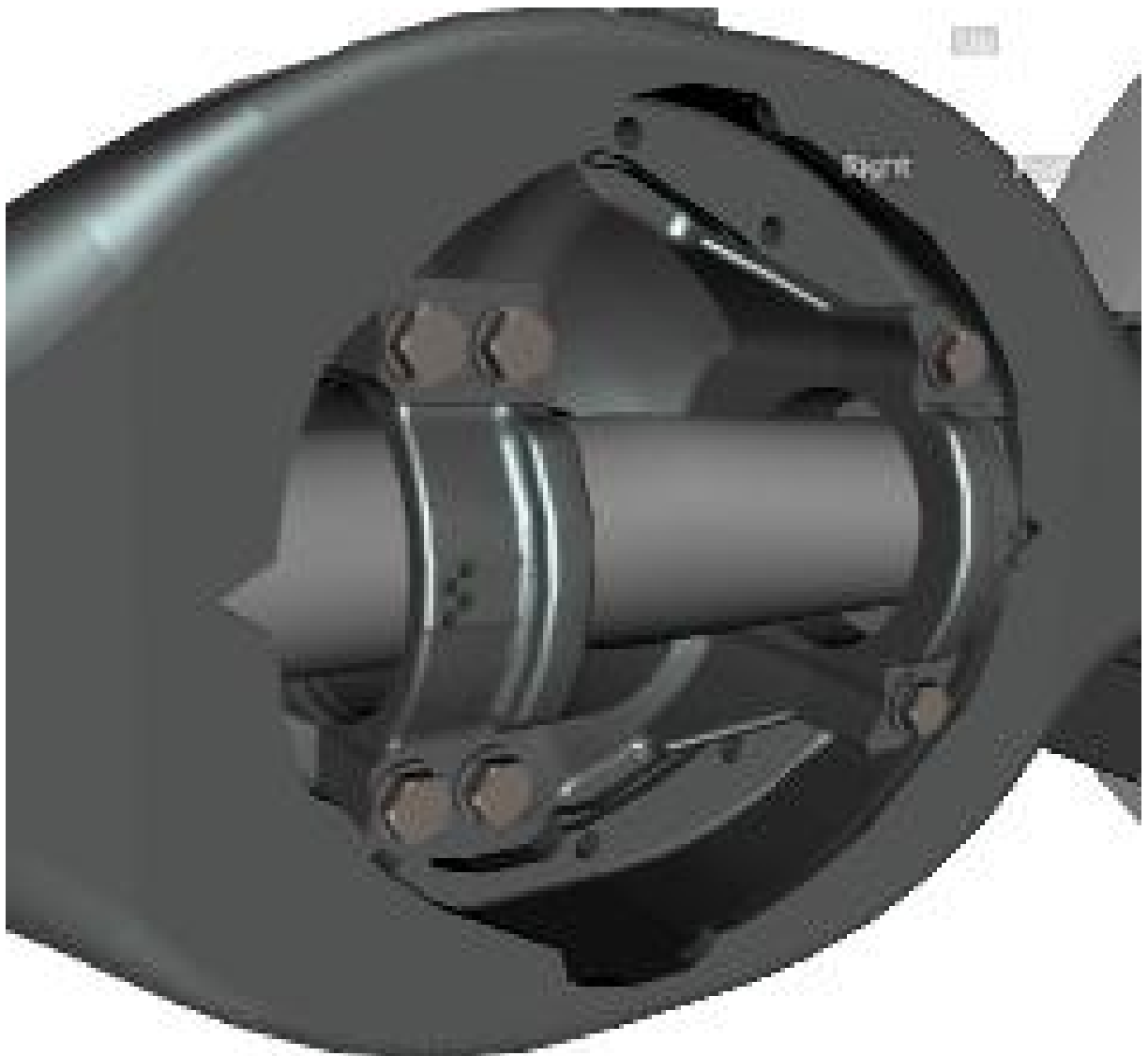


Axle Yoke Bearing Inspection DITA Procedure

1. Inspect the Axle Assy.
2. Apply WD-40 to clean the bolt from rust and corrosion
3. Unscrew the Rod bolts
 - a) Show how to unscrew bolts with the wrench
 - b) Unscrew other bolts
4. Remove the Axle back cover with the screwdriver
5. Unscrew the Axle Shells' bolts



- a) Remove one bolt with Torque Wrench
- b) Remove other bolts

6. Remove Shells

7. Take out the Axle to Rod Cover & Inspect the Bearing, replace if needed

